

NOTE: THIS SWITCH IS COMPOSED OF GANGED SECTIONS SW1A, SW1B, SW1C, SW1D AND SW1E.

Figure 57. Radio Receiver BC-794-A, -B, schematic diagram.

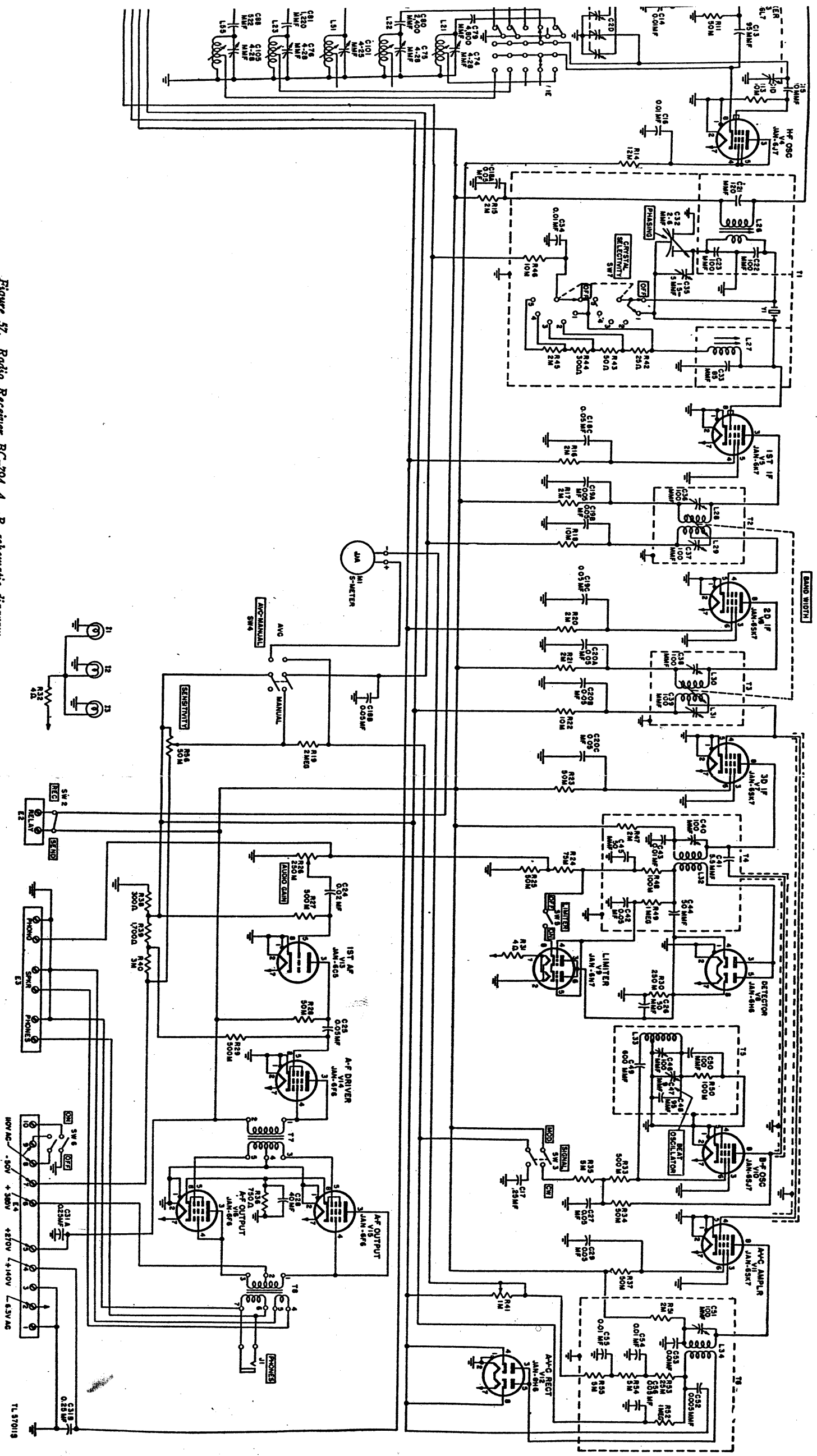
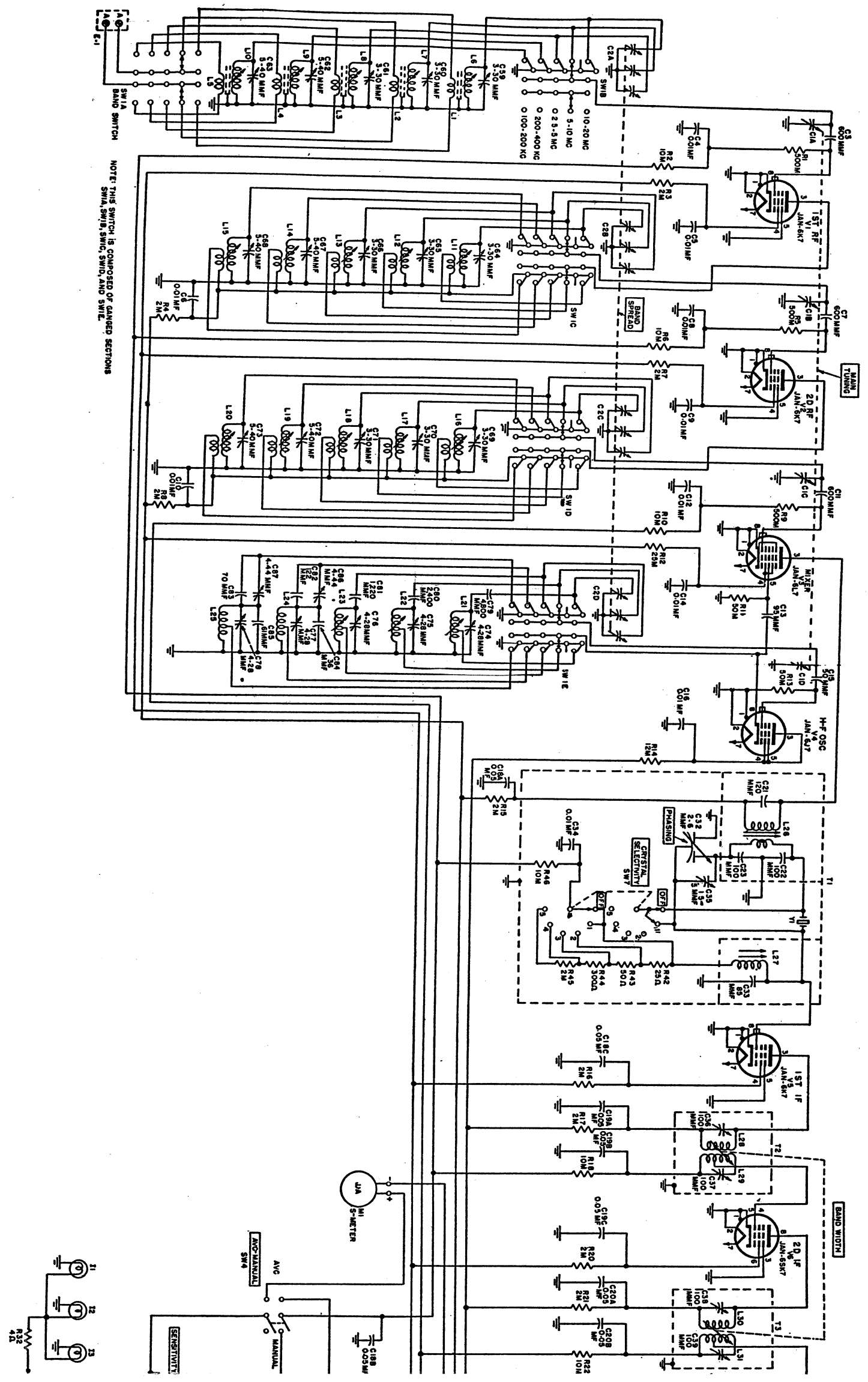


Figure 57. Radio Receiver BC-794-A, -B, schematic diagram.

2/2



NOTE: THIS SWITCH IS COMPOSED OF GANGED SECTIONS SW1A, SW1B, SW1C, SW1D, AND SW1E.

Figure 56. Radio Receiver, BC-779-A, -B, schematic diagram.

→ 1 of 2

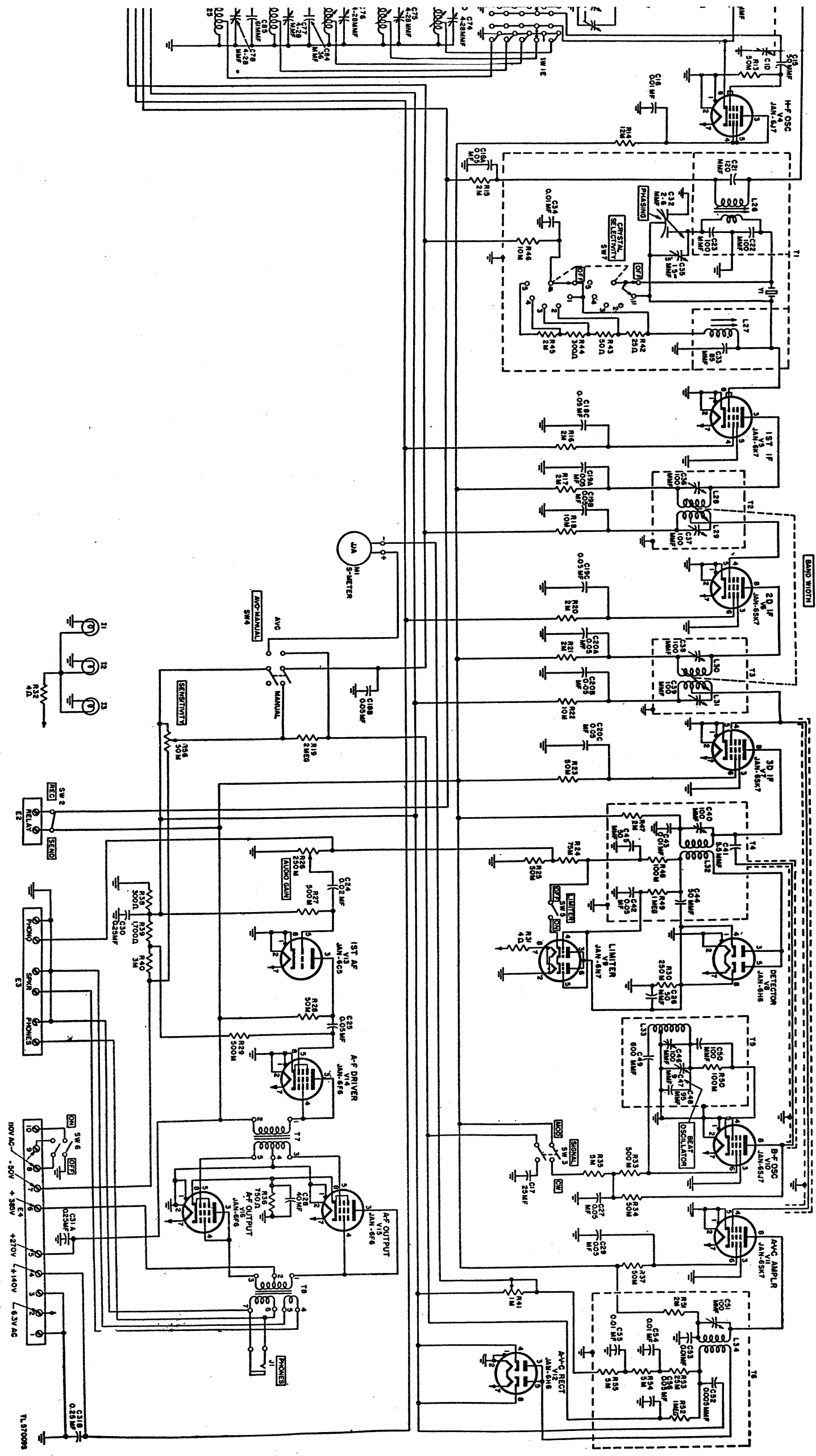
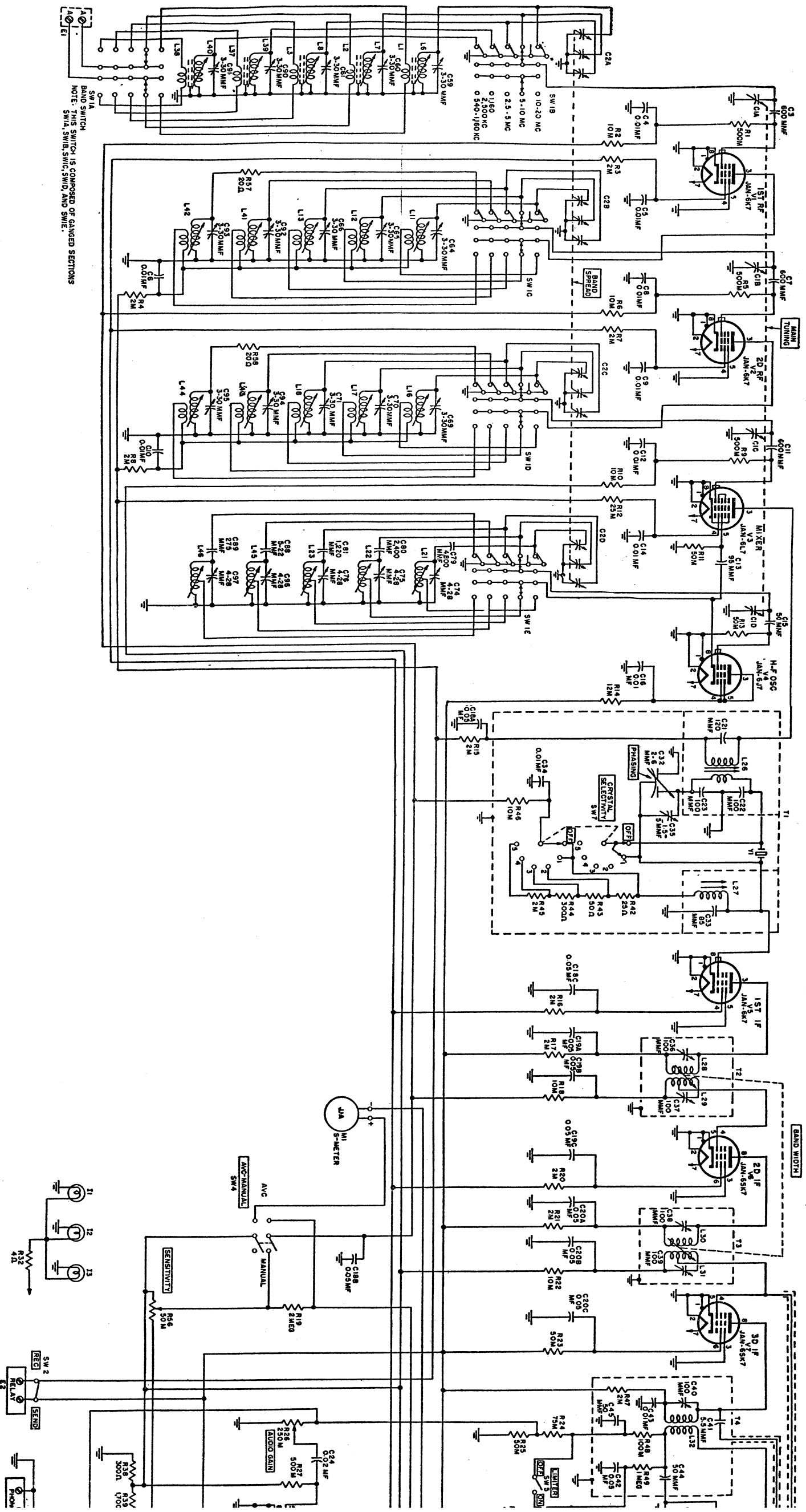


Figure 56. Radio Receiver, BC-779-A, -B, schematic diagram.

2 of 2



NOTE: SW 1A SWITCH IS COMPOSED OF GANGED SECTIONS
 SW 1B, SW 1C, SW 1D, SW 1E, SW 1F, SW 1G, SW 1H, SW 1I, SW 1J, SW 1K, SW 1L, SW 1M, SW 1N, SW 1O, SW 1P, SW 1Q, SW 1R, SW 1S, SW 1T, SW 1U, SW 1V, SW 1W, SW 1X, SW 1Y, SW 1Z, SW 2, SW 3, SW 4

Figure 58. Radio Receiver BC-1004-B, -C, schematic diagram.

